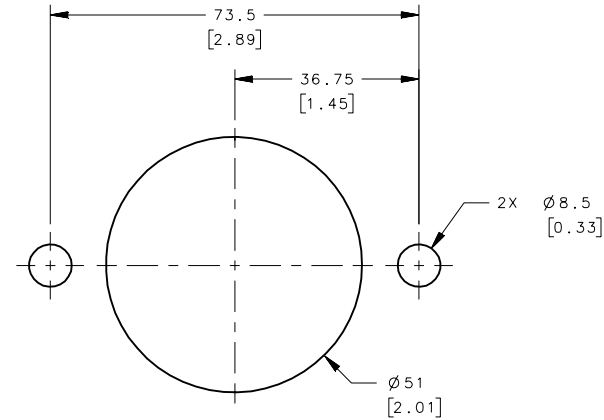
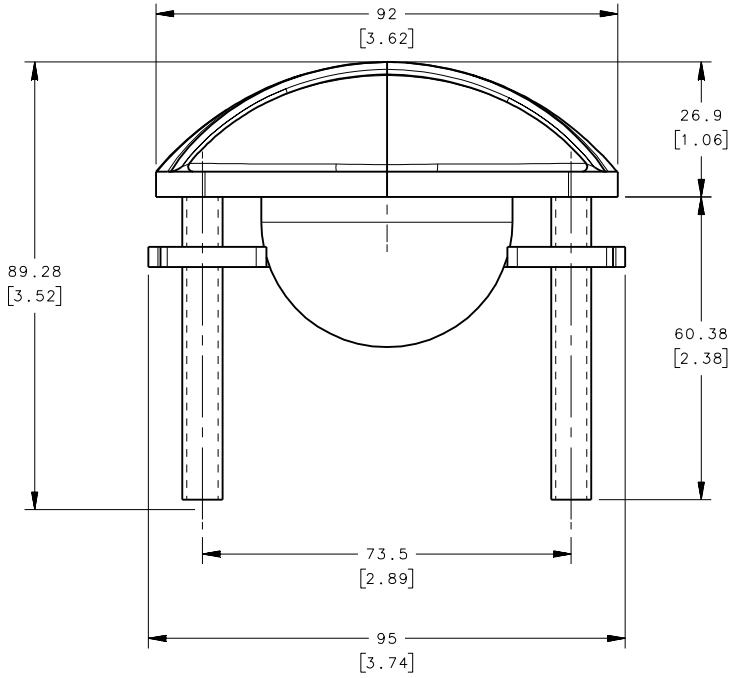
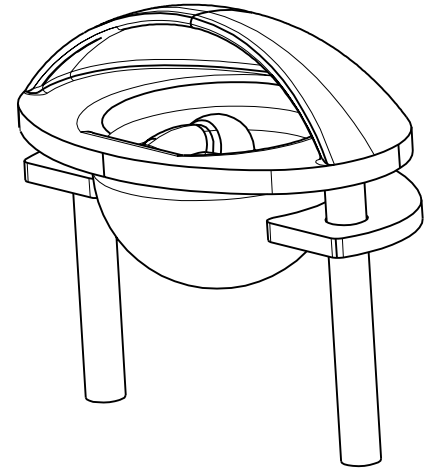
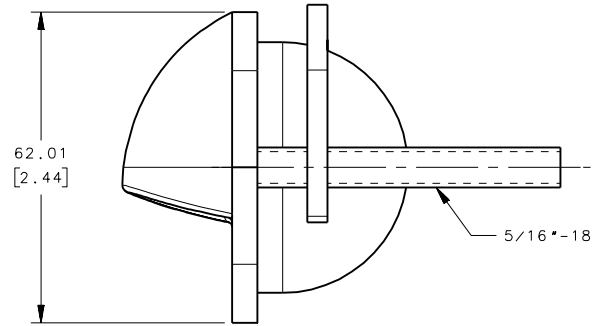
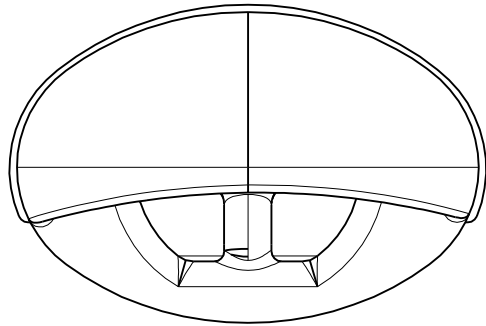


REVISION HISTORY			
REV	DATE	BY	DESCRIPTION
A	26NOV2008	RLR	PRN: P2008-1294



PANEL PREPARATION

NOTES:
A. MATERIAL AND FINISH:

TOW RING AND BACKING PLATE - CF-8M STAINLESS STEEL (NOMINAL CAST EQUIVALENT OF 316 STAINLESS STEEL), POLISHED.

M7-35-9123701	ASSEMBLY	SEE NOTE A	SEE NOTE A	
PART NUMBER	ITEM	MATERIAL	FINISH	
THIRD ANGLE PROJECTION				
MILLIMETERS [IN]				
TOLERANCES UNLESS OTHERWISE NOTED		DESCRIPTION		
ALL DIMENSIONS WITHOUT TOLERANCES ARE FOR REFERENCE ONLY.		southco® CONNECT · CREATE · INNOVATE HOODED SKI TOW RING ASSEMBLY		
PROPRIETARY ITEM EXCEPT FOR USES EXPRESSLY GRANTED IN WRITING. INFORMATION DISCLOSED HEREON IS CONFIDENTIAL AND ALL RIGHTS, PATENT AND OTHERWISE, ARE RESERVED BY SOUTHCO, INC.		SIZE A3	SYSTEM NX	DWG NO. J-M7-35-9123701
PER ASME Y14.5M-1994		DRAWN BY RLR	DATE 26NOV2008	SCALE 1:1 SHEET 1 OF 1