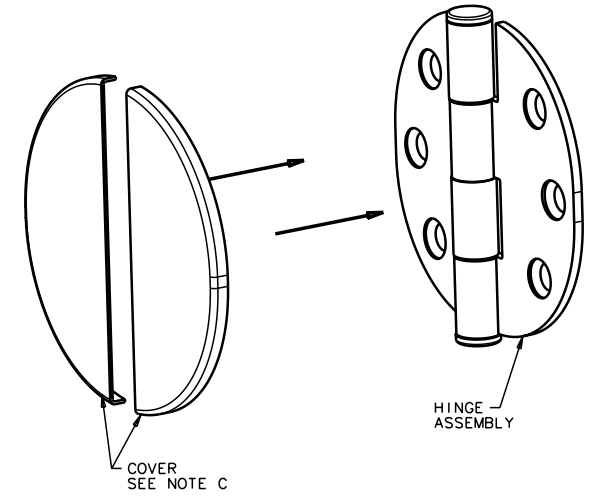
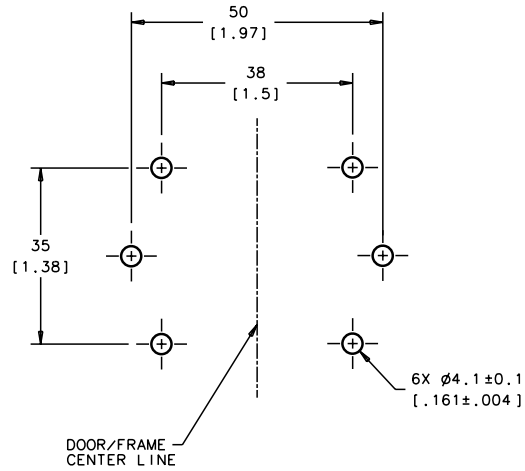
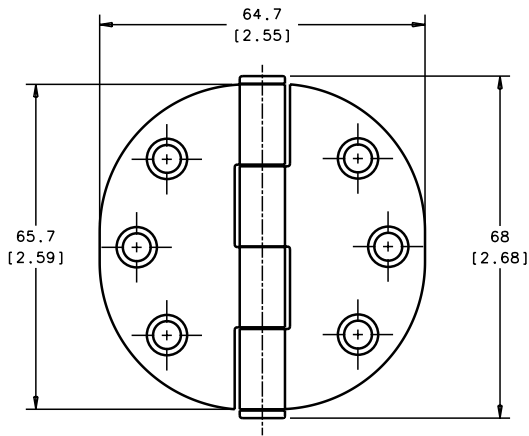
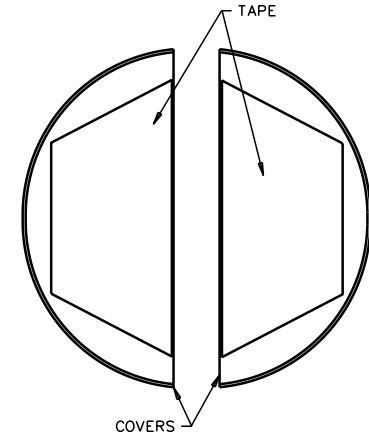
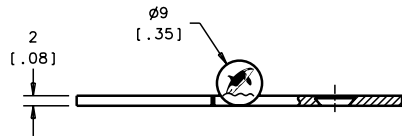


REVISION HISTORY			
REV	DATE	BY	DESCRIPTION
A	05SEPT2007	RLR	PRN: P2007-1141



PANEL PREPARATION



NOTES:

- A. MATERIAL AND FINISH:
 OUTER AND INNER LEAF, COVERS - 316 STAINLESS STEEL, POLISHED.
 HINGE PIN - 304 STAINLESS STEEL
- B. DESIGNED TO ACCEPT M4 OR No.8 SCREW OR EQUIVALENT. (NOT SUPPLIED).
- C. SECURE COVERS USING ATTACHED ADHESIVE TAPE

HINGE ITEM	N6-5A-7VC7-24 PART NUMBER	SEE NOTE A MATERIAL	SEE NOTE A FINISH
THIRD ANGLE PROJECTION		 CONNECT · CREATE · INNOVATE	
MILLIMETERS [IN]			
ALL DIMENSIONS WITHOUT TOLERANCES ARE FOR REFERENCE ONLY.		TITLE COVERED ROUND HINGE, STAMPED	
<small>PROPRIETARY ITEM</small> <small>EXCEPT FOR USES EXPRESSLY GRANTED IN WRITING, INFORMATION DISCLOSED HEREON IS CONFIDENTIAL AND ALL RIGHTS, PATENT AND OTHERWISE ARE RESERVED BY SOUTHCO, INC.</small>		<small>SIZE</small> A3 <small>SYSTEM</small> IDEAS <small>DWG NO.</small> J-N6-5A-7VC7	<small>SCALE</small> 1:1 <small>SHEET</small> 1 OF 1
PER ASME Y14.5M-1994		<small>DRAWN BY</small> RLR	<small>DATE</small> 25APR2007