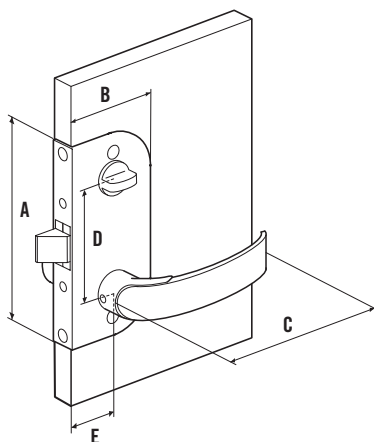


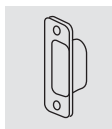
CABIN & COCKPIT ENTRY HARDWARE **ME Offshore Flush Version**

A

	Imperial		Metric
	Nominal	Decimal	
A	4 37/64	4.587	116.5
B	2 5/32	2.165	55
C	3 15/16	3.937	100
D	2 7/16	2.441	62
E	1 3/16	1.181	30



For strikers see page 23



L Locking Option
 0 Privacy
 1 Key Locking

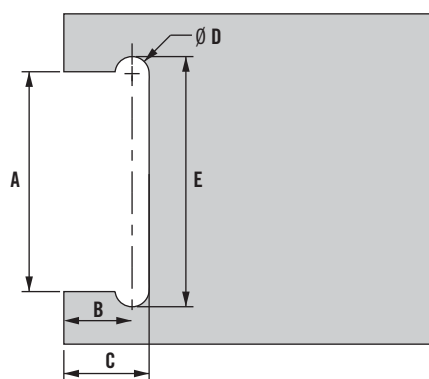
FF Finish
 10 Chrome
 40 Diamond brass
 50 Black
 60 Aluminium
 70 White

D Directional
 2 Right Out
 3 Right In
 4 Left Out
 5 Left In

T Door Thickness
 0 12.5 - 15mm (1/2" - 5/8")
 1 14.5 - 17mm (9/16" - 11/16")
 2 17 - 19mm (11/16 - 3/4")
 3 19 - 21mm (3/4 - 7/8")

ME - 01 - D L T - FF

Panel Preparation



	Imperial		Metric
	Nominal	Decimal	
A	3 21/32	3.65	93
B	1 3/32	1.09	28
C	1 21/32	1.65	42
D	1 3/32	1.09	28
E	4 1/32	4.00	102

