

# CABIN & COCKPIT ENTRY HARDWARE

## MF ProFlush Entry Door Lock

A

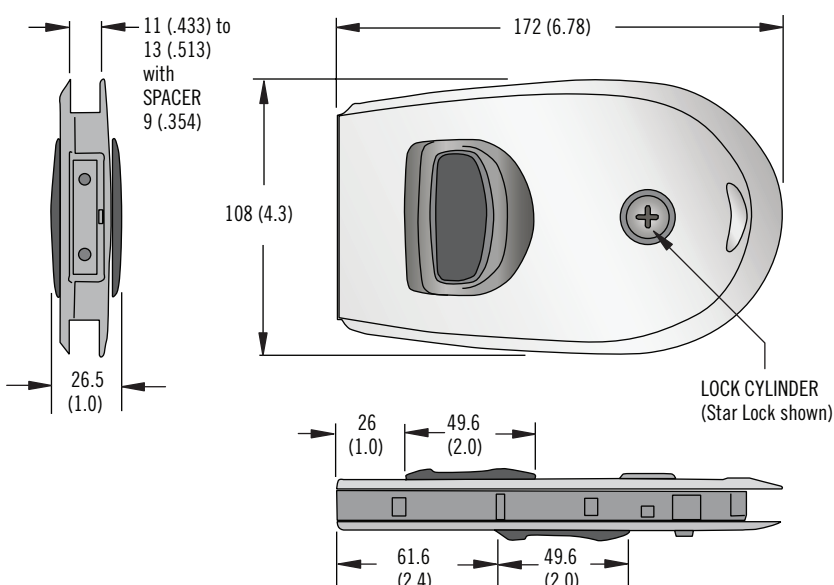


- Sealed to help prevent water intrusion
- Adjusting screws provide a tight fit to the door
- Suitable for doors between 9-13mm
- Available with two types of lock plugs
  - Star lock system, provides high security with a pin tumbler lock plug
  - 3 wafer flat key (MIM) lock, provides security with a stainless steel plug and has a reversible key
- Shuttered lock plugs protect from debris
- Oval and square variant available

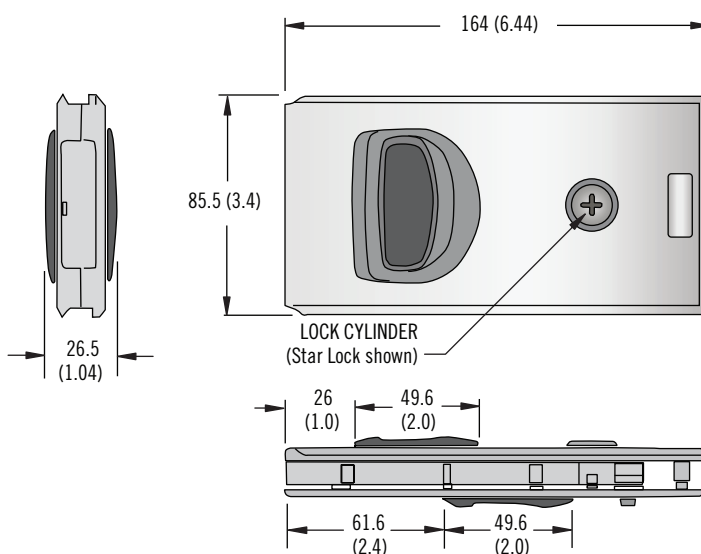
### Star Lock System



- Improved security in a compact package
- 6 pin tumblers provide similar protection to full sized DIN lock
- Marine grade materials resist corrosion
- Key features an ergonomic key grip and robust feel
- Stainless steel lock for strength and corrosion resistance
- Locks can be matched to other Southco deck latches. Contact Southco Marine for information
- Flat overmolded key provides comfortable grip



### 3 wafer flat key (MIM) system



	PART NUMBER	
Pro Flush Latch*	Oval	Square
Star Lock	MF-05-430-24	MF-05-530-24
Disc Tumbler Lock	MF-05-450-24	MF-05-550-24

\* Two grip friendly overmolded keys and a keeper supplied.

For spare keys please contact Southco Marine



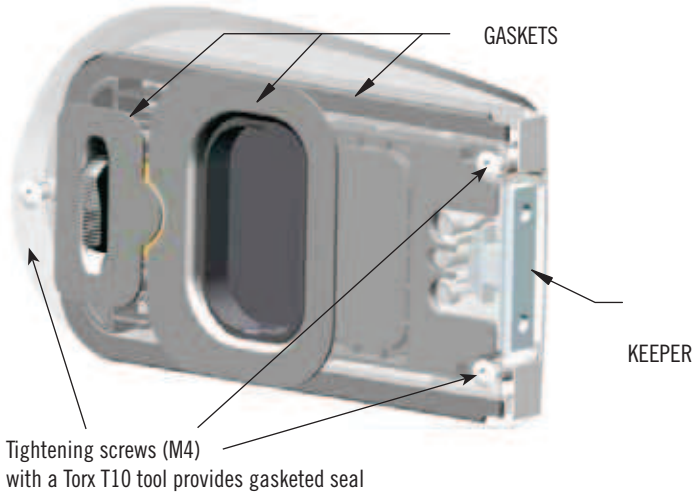
[www.southco.com/MF](http://www.southco.com/MF)

Dimensions in millimeters (inch) unless otherwise stated

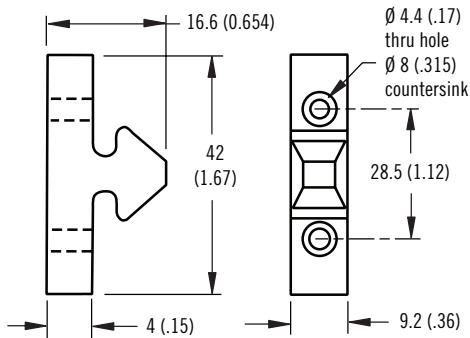


# CABIN & COCKPIT ENTRY HARDWARE

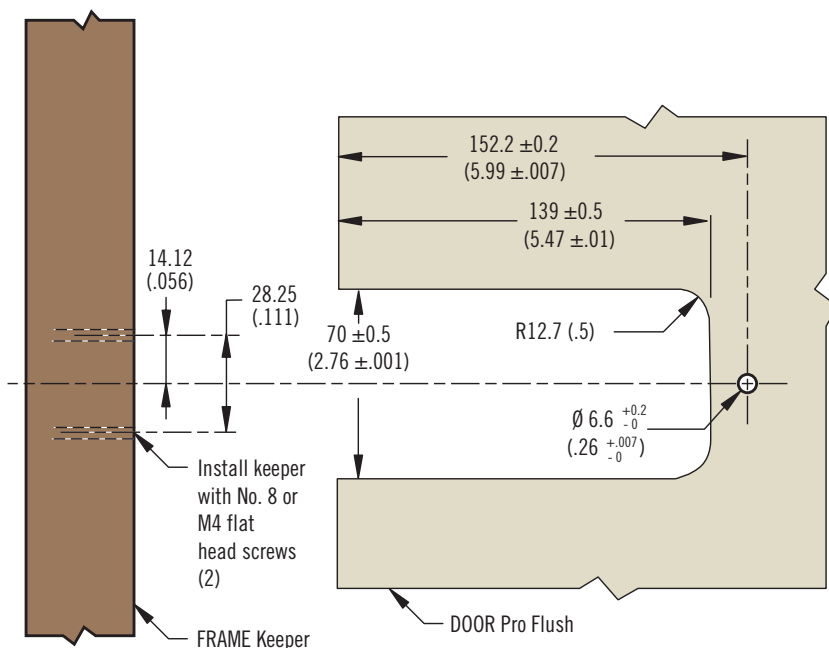
## Gasket Seal



## Keeper



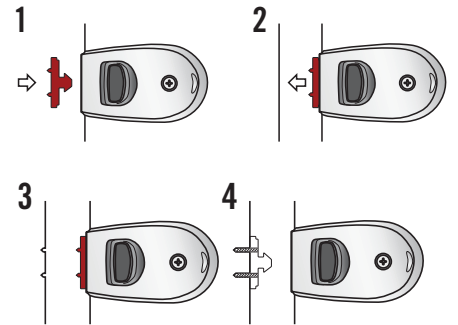
## Panel Preparation



## Accessories

### Mounting Tool

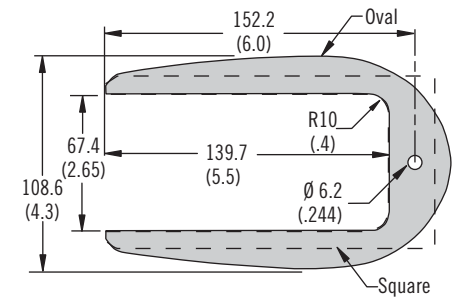
- A keeper mounting tool is available that quickly marks the correct location for the keeper mounting screws



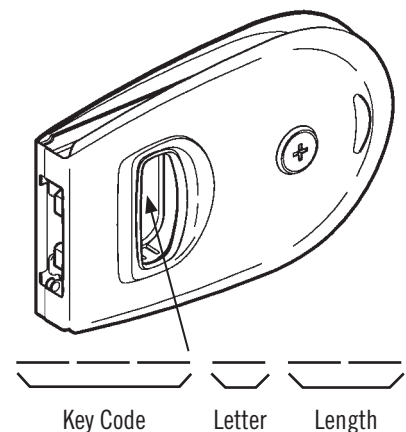
Accessories	PART NUMBER
Oval Spacer	MF-92-400-24
Square Spacer	MF-92-500-24
Mounting Tool	MF-90-400-10

### Spacer

- Spacer accessory available for doors that are 10mm (.42") thick
- Spacer allows use in thinner door thickness to 9mm (.35")



### How to determine your key combination



A

