

ACCESS HARDWARE

E3 VISE ACTION® Compression Latch • Small • Adjustable Grip

B



- Consistent pre-set 4mm compression
- Easy grip adjustment
- Tool or hand operated
- Reduced dimensions

Material and Finish

Electropolished Stainless steel 316 and 304

Performance Details

Max. static load: 356 N (80 lbf)

Sealing Notes

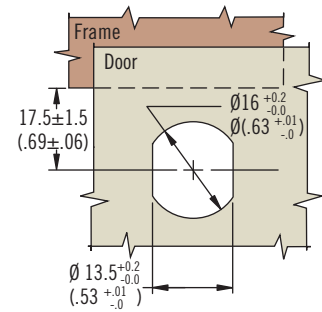
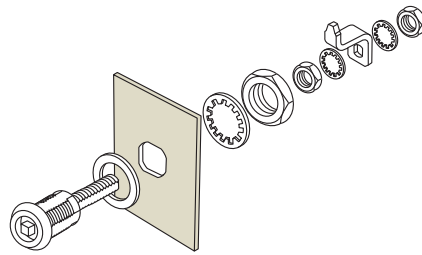
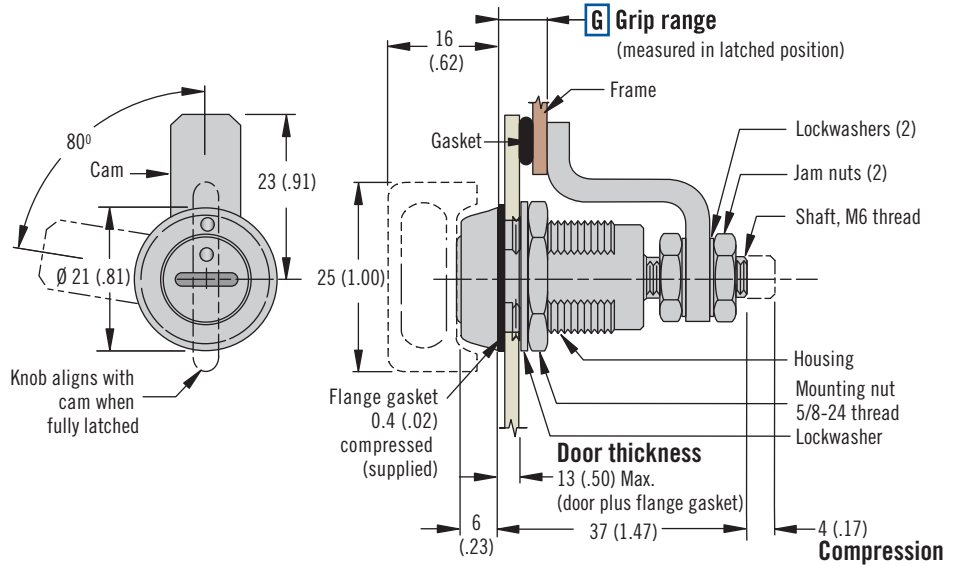
NEMA 4 / IP65 achieved using gasket supplied

Installation Notes

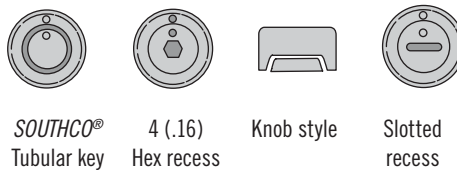
Caution: Position cam so latching function can be achieved comfortably by hand.

Tubular key

E3-26-819-15



H Head Styles



Part Number Selection

E3 - 5 **H** - **G** 2

H Head style

5 SOUTHCO® Tubular key (E3-26-819-15)

6 Hex recess

7 Knob style

9 Slotted recess

G Grip	Min.	Max.
1	3.2 (.13)	6.4 (.25)
2	6.4 (.25)	9.5 (.37)
3	9.5 (.37)	12.7 (.50)
4	12.7 (.50)	15.9 (.63)
5	15.9 (.63)	19 (.75)
6	19 (.75)	22.2 (.87)
7	22.2 (.87)	25.4 (1)
8	25.4 (1)	28.6 (1.13)

