

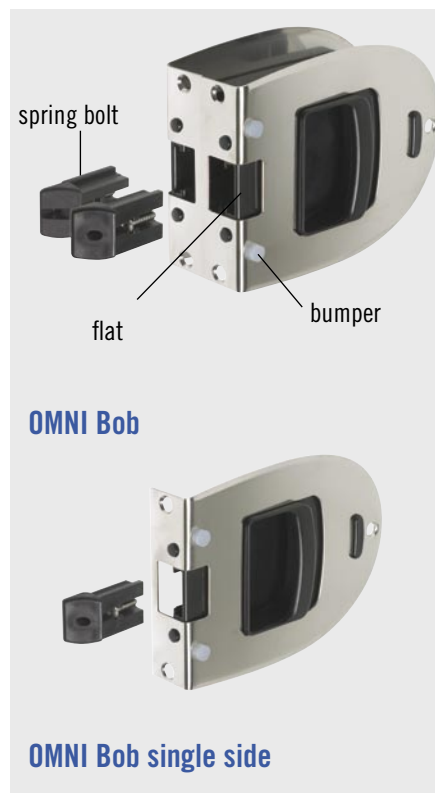
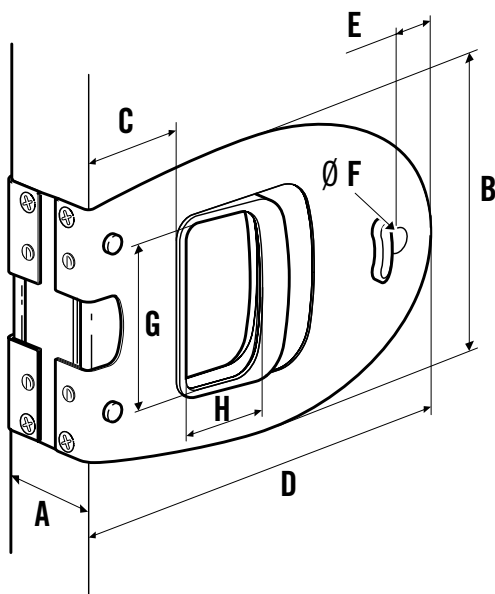
Mobella® Omni Bob COCKPIT DOOR LOCK

DOOR THICKNESS RANGE: 25 - 51mm (1" - 2")

The Omni Bob is designed for thicker doors and can be used flat or with spring bolt. There is no protruding springbolt, allowing it to be installed flush to the edge of the door. The unique design latches when it comes in contact with the mating striker.

It also offers:

- Easily-adjustable springbolts for left- or right-swing are included for fast conversion
- Single-side version available, suitable for thicker transom doors
- Nylon bumpers reduce vibration and prevent door rattle
- Optional doorkeeper holds door in open position



	Imperial		Metric
	Nominal	Decimal	
A	Panel Thickness		
B	3 15/16	3.898	99
C	1 3/8	1.378	35
D	5 5/16	5.315	135
E	15/64	.236	6
F	15/64	.236	6
G	2 5/32	2.165	55
H	1 3/16	1.181	30

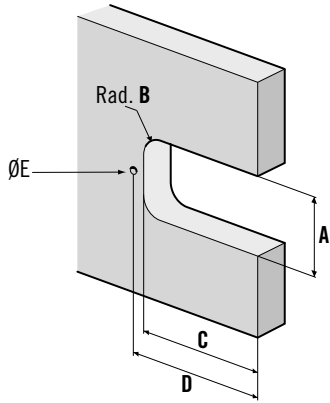
OMNI Bob PART NUMBERS	
Door thickness range	
25 - 31 mm (1 - 1-1/4")	MR-04-106-24
30 - 36 mm (1-3/16 - 1-7/16")	MR-04-107-24
35 - 41 mm (1-3/8 - 1-5/8")	MR-04-108-24
40 - 46 mm (1-9/16 - 1-13/16")	MR-04-109-24
45 - 51 mm (1-3/4 - 2")	MR-04-1010-24

OMNI Bob Single PART NUMBERS		
Min. Door Thickness	Door Swing	
25 mm - (1")	right out/left in	MR-05-603-24
25 mm - (1")	left out/right in	MR-05-703-24



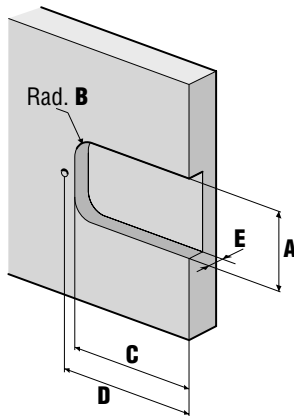
Panel Preparations

Omni Bob



	Imperial		Metric
	Nominal	Decimal	
A	2 11/16	2.667	68
B	5/16	.315	8
C	4 11/16	4.685	119
D	5 3/64	5.039	128
E	15/64	0.236.6	6

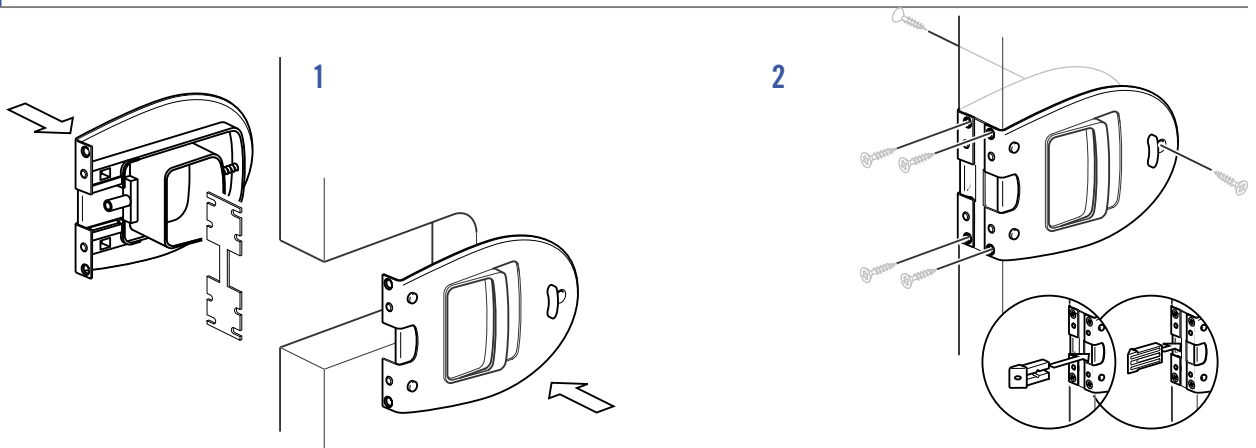
Omni Bob single side



	Imperial		Metric
	Nominal	Decimal	
A	2 11/16	2.667	68
B	5/16	.315	8
C	4 11/16	4.685	119
D	5 3/64	5.039	128
E	25/32	.787	20

Installation

Omni Bob



Omni Bob single side

