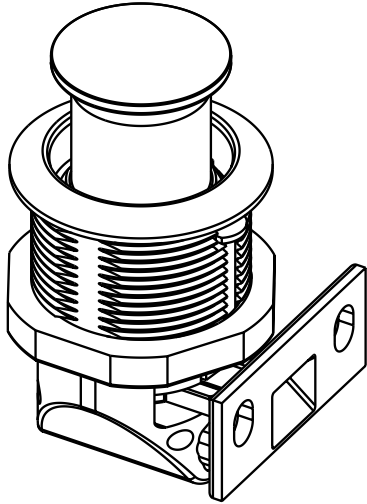


REV	DATE	DRAWN/CHKD	DESCRIPTION	COMPONENT	MATERIAL	FINISH
1	13JUN2002	VNI/DLH	PRN: P2002-0405	HOUSING	PC/ABS	SEE TABLE
A	19JUL2002	VNI/CHW	PRN: P2002-0489	KNOB	SEE TABLE	SEE TABLE
			RELEASED FOR PRODUCTION	INTERNAL CYLINDER	ACETAL	SEE TABLE
B	08JAN2003	VNI/AJH	PRN: P2002-0934	PAWL	GR NYLON	BLACK
				KNOB SPRING	300 SERIES STAINLESS STEEL	PASSIVATED
				PAWL SPRING	300 SERIES STAINLESS STEEL	PASSIVATED
				PAWL NUT	GR NYLON	BLACK
				KEEPER	GR NYLON	BLACK

NOTES:

- A. INSTALLATION INSTRUCTIONS:
 1. PREPARE DOOR AND FRAME AS SHOWN. THE FOLLOWING OPTIONAL PANEL PREPARATIONS MAY BE USED TO ENSURE LATCH ANTI-ROTATION:
 6. ALIGNMENT STEM HOLE FOR PANELS THICKER THAN 6.4
 6. ALIGNMENT STEM HOLE FOR PANELS THICKER THAN 6.4
 6. ALIGNMENT STEM HOLE FOR PANELS THICKER THAN 6.4
 - NOTE: ALIGNMENT STEM FOLDS AWAY IF ROUND HOLE PREPARATION IS USED.
 2. INSERT LATCH THROUGH HOLE AND TIGHTEN NUT (TIGHTENING TORQUE IS 4.2 N m).
 3. FOR ALIGNMENT STEM USAGE, PUSH ALIGNMENT STEM INTO SEMI-CIRCULAR HOLE AND HOLD IN PLACE UNTIL NUT IS TIGHTENED.
 4. INSTALL KEEPER.

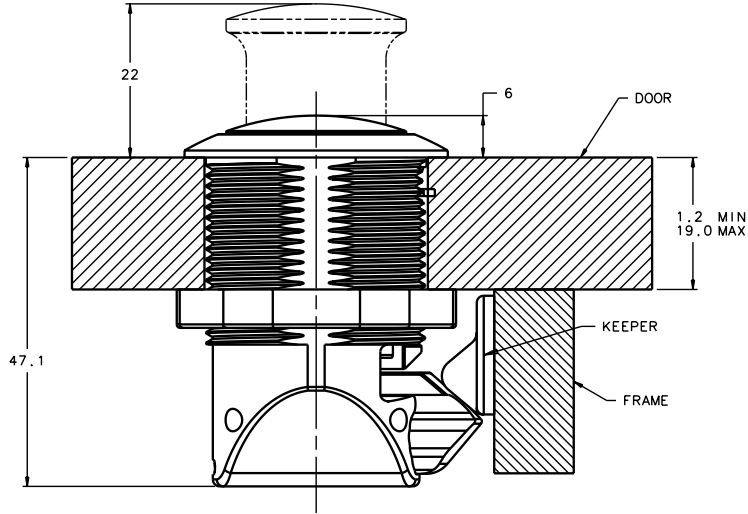
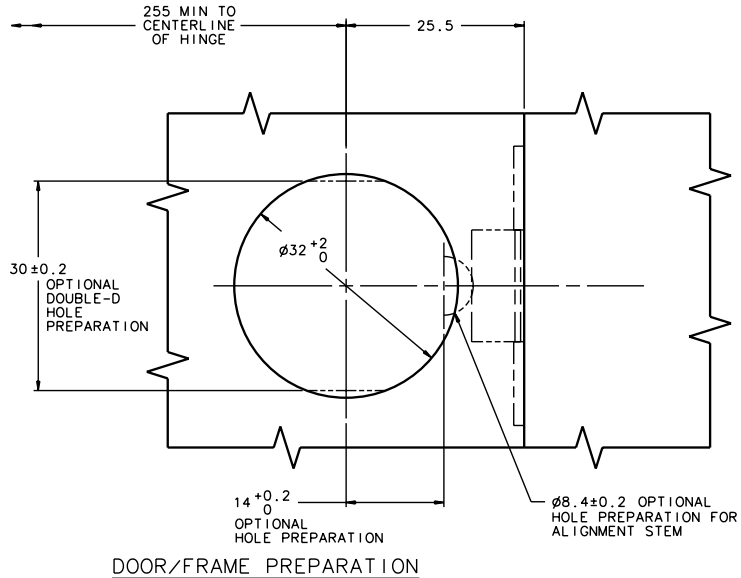
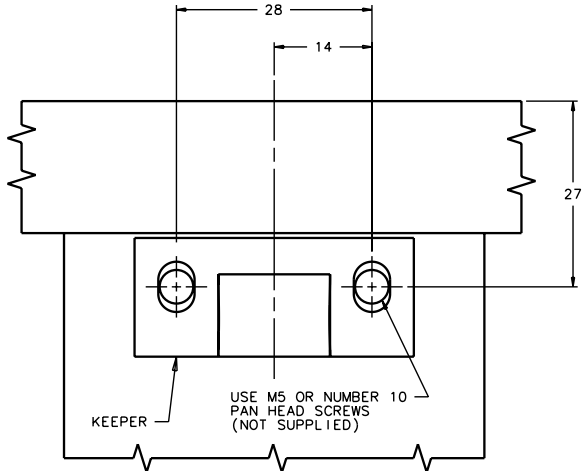
- B. CAUTION - AVOID PROLONGED CONTACT WITH SOLVENTS. FOR CLEANING, WIPE WITH MILD HOUSEHOLD CLEANER OR DETERGENT.



MATERIAL AND FINISH INFORMATION

ASSEMBLY PART NUMBER: F.INISH/COLOR
 M1-2A-15-1: CHROME KNOB AND HOUSING
 M1-2A-15-5: BLACK KNOB AND HOUSING
 M1-2A-15-8: GOLD KNOB AND HOUSING
 M1-2A-15-14: RED KNOB AND HOUSING
 INTERNAL CYLINDER IS WHITE FOR PART NUMBERS M1-2A-15-1 AND M1-2A-15-8
 INTERNAL CYLINDER IS BLACK FOR PART NUMBERS M1-2A-15-5 AND M1-2A-15-14

KNOB MATERIAL:
 ABS
 PC/ABS
 ABS
 PC/ABS



A3
 PAPER
 SIZE