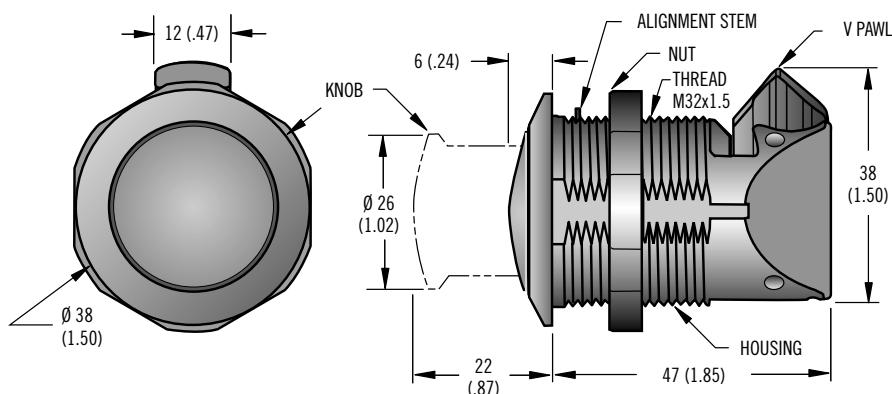


Southco® M1-2A PUSH-TO-CLOSE LATCH



Pull to Open Design

- Pull the knob to open, simply push the door to close
- Quick, round-hole installation
- Knob stores flush; pops out at a touch
- Corrosion- and UV-resistant

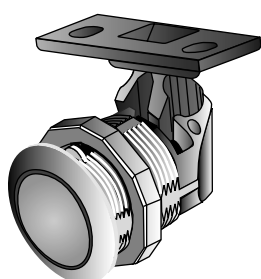
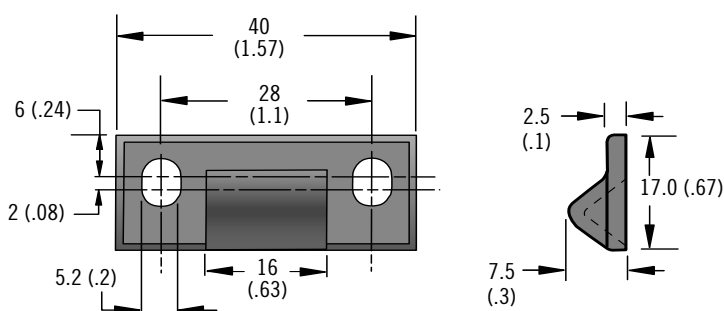


Material and Finish

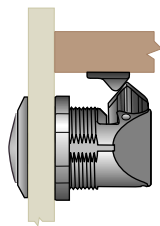
- BLACK HOUSING and KNOB: PC/ABS.
- CHROME HOUSING: PC/ABS, chrome plated.
- CHROME KNOB: ABS, chrome plated.
- GOLD HOUSING: PC/ABS, chrome plating plus gold-coloured PVD.
- GOLD KNOB: ABS, chrome plating plus gold-coloured PVD.
- INTERNAL CYLINDER: Acetal, black or white.
- PLASTIC KEEPERS, NUT, PAWL: Glass filled nylon, black.
- METAL KEEPER: 304 Stainless steel, passivated.
- INTERNAL SPRINGS (2): 304 Stainless steel, passivated.

PART NUMBER	
FINISH Knob/Housing	PULL to OPEN ASSEMBLY
Chrome/Chrome	M1-2A-15-1 •
Black/Black	M1-2A-15-5 •
Gold/Gold	M1-2A-15-8 •

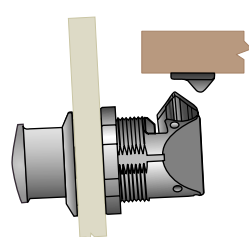
Pull to Open Keeper



1 Closed



2 Push to pop out knob



3 Pull knob to open

Product Strength Guidelines

- At room temperature
- Average Ultimate Load:
- Pull to Open: 225N (50 lbs.)
- Self adjusting grip: 460 N (100 lbs.)
- Fixed Grip: 780 N (175 lbs.)
- Maximum Recommended Working Load: Self adjusting grip: 220 N (50 lbs.)
- Fixed Grip: 310 N (70 lbs.)
- Salt Spray exposure per ASTM B117: Greater than 500 hrs.
- Ultra-violet exposure per ASTM G53: Greater than 500 hrs.
- Product Operating Temperature Range: -30°C (-22°C) to 60° C (140°F)
- Flammability Rating: UL94-HB

NOTE: For Panel Preparation and detailed Installation instructions see page 63.

Southco® M1-2A

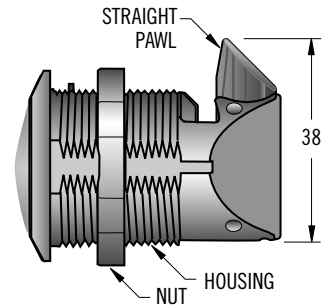
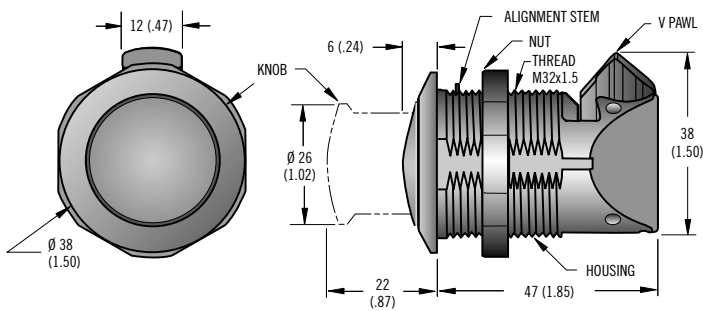
Turn-to-open design

- Turn the knob to open, simply push the door to close
- Knob stores flush; pops out at a touch
- Accommodates misalignment

- Available with a key lock turn knob
- Securely latches with knob in or out
- Quick, round-hole installation
- Corrosion and UV-resistant

Self-adjusting Grip

- Accommodates misalignment in 3 planes



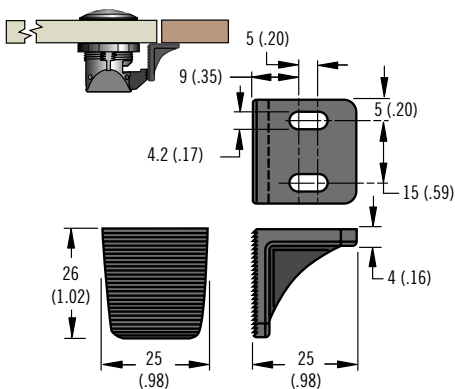
PART NUMBERS		
FINISH Knob/Housing	SELF ADJUSTING GRIP	
	FLUSH-MOUNT ASSEMBLY	SURFACE-MOUNT ASSEMBLY
Chrome/Chrome	M1-2A-12-1 •	M1-2A-11-1 •
Black/Black	M1-2A-12-5 •	M1-2A-11-5 •
Gold/Gold	M1-2A-12-8 •	M1-2A-11-8 •

PART NUMBERS	
FINISH Knob/Housing	FIXED-GRIP ASSEMBLY
Chrome/Chrome	M1-2A-13-1 •
Black/Black	M1-2A-13-5 •
Gold/Gold	M1-2A-13-8 •

For key lock partnumbers please contact Southco Marine
NOTE: For Material and Finish, and Product Strength Guidelines see page 57.

Flush-mount Keeper

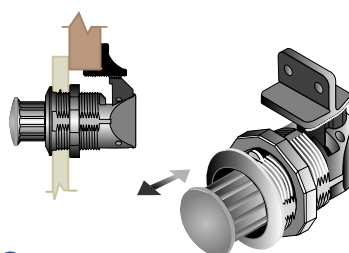
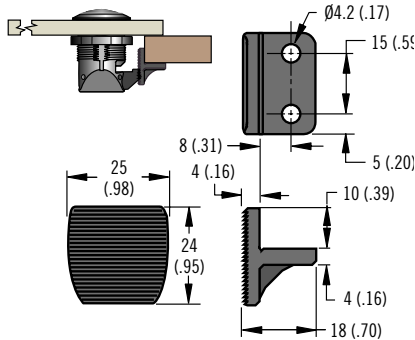
For Flush Door/Frame Configurations



1 Closed

Surface-mount Keeper

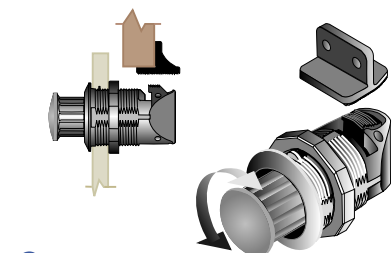
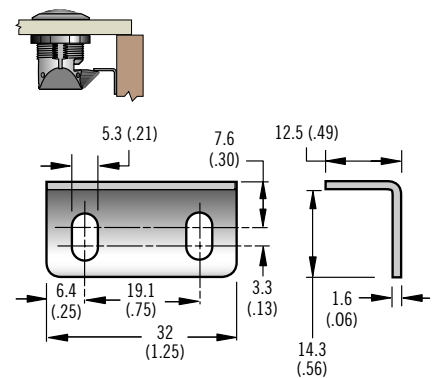
For Overlapping Doors



2 Push to pop out knob

Metal Keeper

Can be used for Perpendicular Door/Frame Configurations



3 Turn knob to open

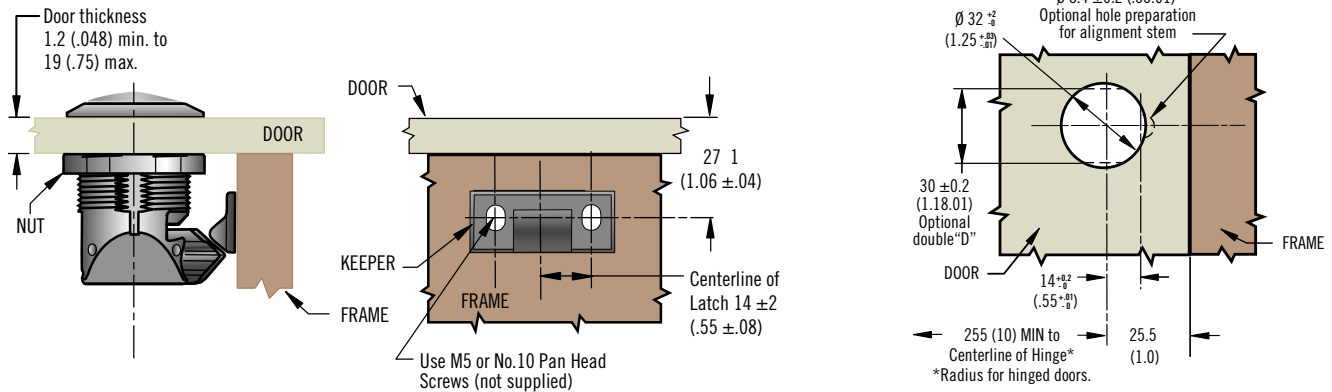


1. Prepare door and frame as shown. The following optional panel preparations may be used to ensure latch anti-rotation: alignment stem hole for panels thicker than 6,4 (.25) or a double "D" hole.

Note: alignment stem folds away if round hole preparation is used.

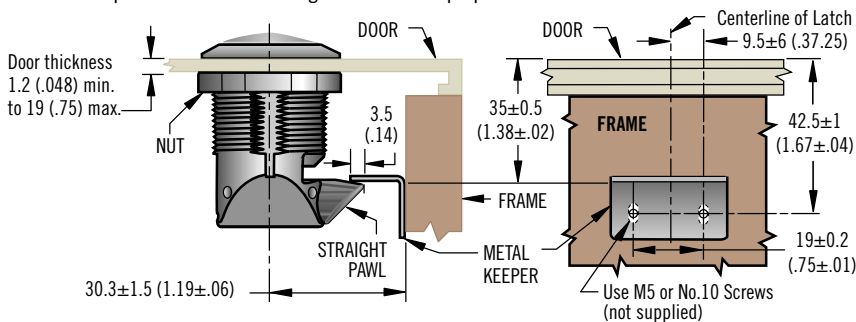
2. Insert latch through hole and tighten nut. Maximum recommended tightening torque is 4,2 N•m (37 in.-lbs). Install keeper.

Pull to Open Installation



Fixed-grip Installation

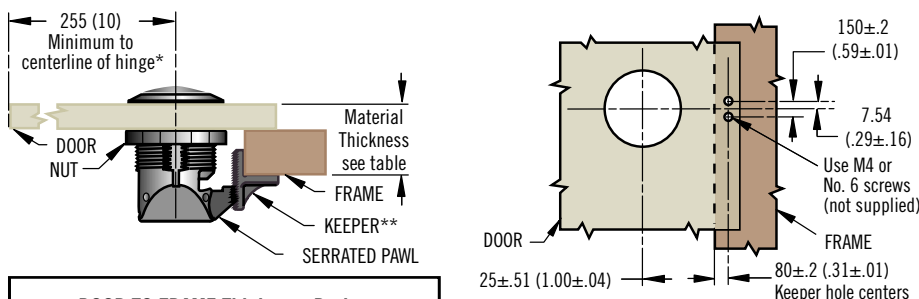
See Pull to Open installation drawing above for hole preparation detail.



If necessary, adjust keeper to eliminate any gap between Door and Frame.

Self-adjusting Pawl Installation: Surface-mount Door

See Pull to Open installation drawing above for hole preparation detail.



DOOR TO FRAME Thickness Ratios		
DOOR Thickness	FRAME Thickness	
1.2 (.048)	23.8 (.94)	40.3 (1.59)
3.2 (.125)	21.8 (.86)	38.3 (1.51)
6.4 (.25)	18.2 (.72)	35.8 (1.41)
9.5 (.375)	15.5 (.61)	32.5 (1.28)
12.7 (.50)	12.7 (.50)	29.2 (1.15)
15.9 (.625)	10 (.39)	26.1 (1.03)
19 (.75)	10 (.39)	23 (.90)

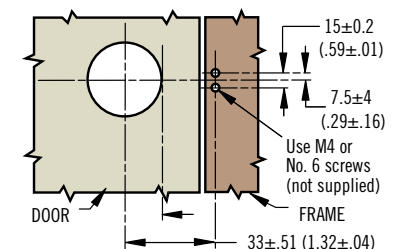
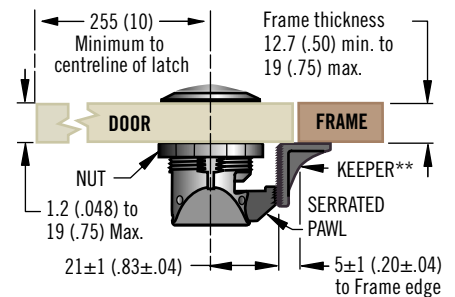
*Radius for hinged doors. If latch is used on a drawer, there is no clearance minimum.

**Keeper aligns against Frame for ease of installation.

NOTE: A gasket, bumper, or equivalent will eliminate a gap that could exist between the door and frame and eliminate possible rattle.

Self-adjusting Pawl Installation: Flush-mount Door

See Pull to Open installation drawing above for hole preparation detail.



** Keeper is not intended to be the door stop.